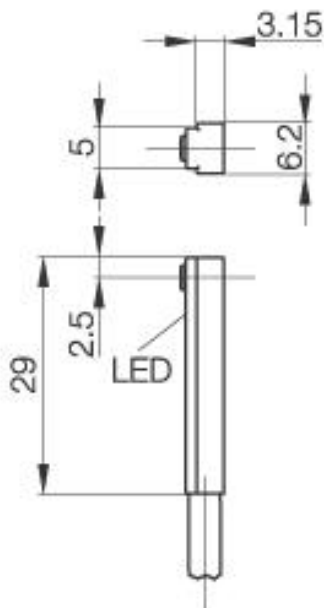


# Magnetic Field Sensors

## BMF 307K-R-AS-L-3-03

### 29x6,2x4,4



PX1706

#### Common Data

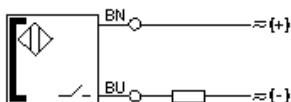
Function indication	yes
Ambient temperature range	-20...+70°C
Particular characteristics	Reed-Switch

#### Mechanical Data

Measurements BxHxT oder DxT	29x6,2x4,4mm
Tightening torque	10Ncm
Housing material	LCP
Material of sensing face	LCP
Degree of protection	IP65IP
Connection	Cable
Cable type	PVC

#### Electrical Data

Current type	AC/DC
Wiring	2-Wire
switching function	normally-open
Rated operational voltage	24 AC/DCV
Rated operational current	128 at 24VmA
Supply voltage	4...30V
Ripple	≤ 10% v. Ub
Rated supply frequency	50...60Hz
Voltage drop	≤ 4V
Switch-On-Delay	0,7ms
Switch-Off-Delay	0.2ms



Datasheet number:

Definitions see general catalog.

If not otherwise noted, ratings according to IEC 60947-5-2 (DIN EN60947-5-2)

Balluff GmbH  
 Schurwaldstrasse 9  
 73765 Neuhausen a.d.F.  
 Phone (07158) 173-0 Fax (07158) 5010

Datenblatt by CD-ROM - 04/2007

**BALLUFF**  
 sensors worldwide